

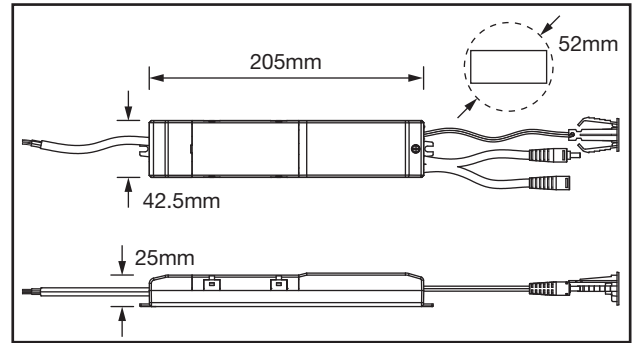
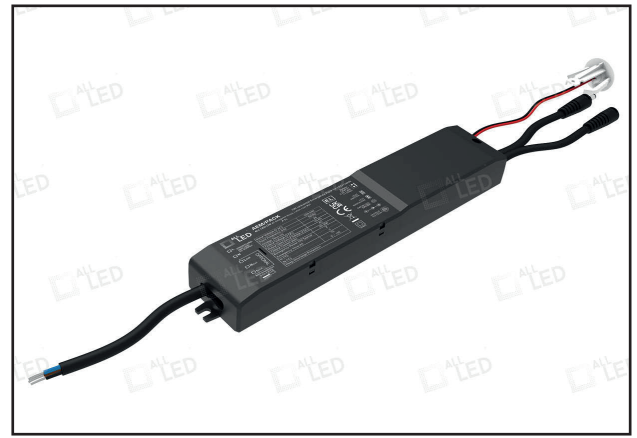
AEM/PACK

Universal Emergency Pack
for LED Loads

EMPack

PRODUCT FEATURES

- >3 Hour Duration
- Lithium LifePO4 Battery
- Remote Indicator & Mounting Collar
- Wide Compatibility, Including 24V LED Strips
- Up To 150W Load Supported (LED Strip Only)
- Can Be Wired As Maintained Or Non-Maintained



TECHNICAL SPECIFICATIONS

PRODUCT CODE	AEM/PACK
Operating Voltage	220-240V AC
Operating Current (A Max)	0.05A
Max Output Power	2W
Output Current Range	30-200mA
Output Voltage Range	10-60V DC
PF	≥0.5
Class	II
Body Material	Polymer
Ambient Operating Temperature (°C)	0°C~50°C
Input Frequency (Hz)	50Hz / 60Hz
Guarantee	5 Years
Charge Time	24H
Battery Type	LifePO4
Battery Voltage	6.4V
Battery Current	2 x 1800mAH
Battery Capacity	11.52wH
Emergency Duration	3 Hrs
Indicator Cutout	20mm

